

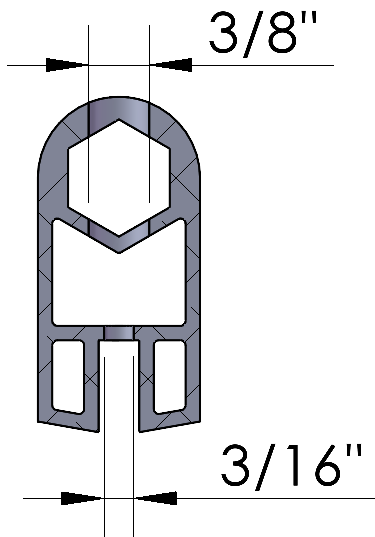


Door Rail Retrofit Instructions

***** Use these instructions when replacing an end rail section on a door assembly. *****

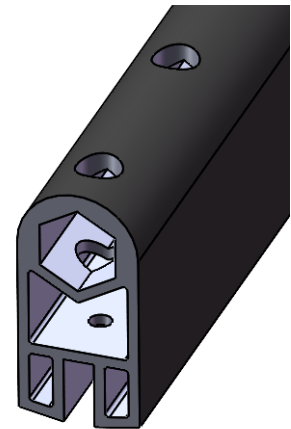
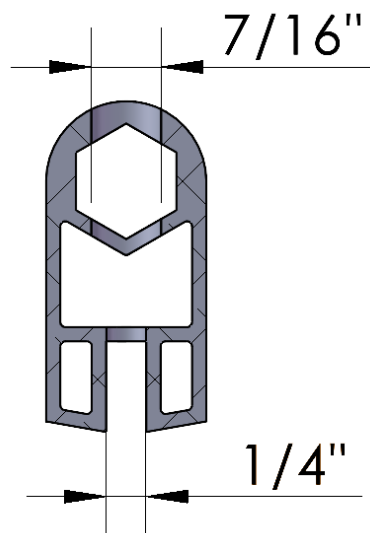
Old Hole Sizes

For P100262 Screws



New Hole Sizes

For P100613 Screws



1. Use a 1/4" diameter drill bit to size up the 3/16" diameter hole on the inner most wall of the side rail (closest to the glass).
2. Use a 7/16" diameter drill bit to size up the 3/8" diameter hole on the remaining holes in the walls of the side rail. DO NOT size up the hole on the inner most wall (closest to the glass) with this drill bit.
3. Repeat steps 1-2 for the other side rail on the door panel.